

**Annandale Millwork  
& Allied Systems  
Corporation**



**Architectural  
Mouldings  
Catalog**

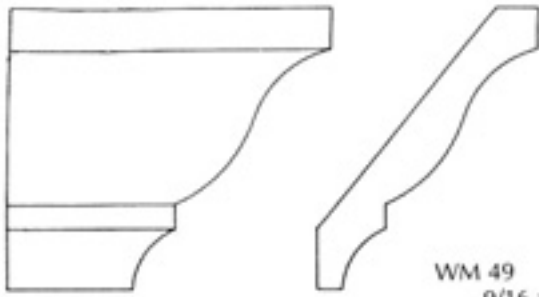
540 | 665 | 9600  
[www.amcasc.com](http://www.amcasc.com)

# Table of Contents

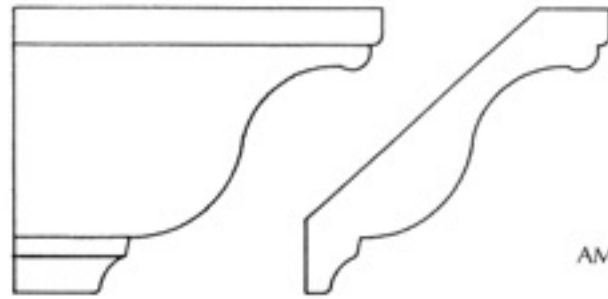
Crown .....	1-3
Crown Combination .....	4-8
Chari Rail.....	9-10
Casin.....	11-13
Base.....	13-15
Panel Mould .....	1-18
Hand Rail .....	19
Bed .....	19
Shoe .....	19
Stop.....	19
Half & Quarter Round .....	19
Champher.....	19
Ply Caps.....	19
Stool .....	19
Coves .....	20
Astragals .....	20
Brick Moulds.....	20
Rosettes.....	20
Mullion .....	20
Rake .....	21
Reeding .....	21
Fluting.....	21
Bar Rail .....	22
Dentil.....	22
Drip Cap.....	22
Top Rail .....	22
Bottom Rail.....	22
Baluster .....	22
Full Round .....	22
Corner Guards .....	23
Beads.....	23
Screen Stock .....	23
MDF Profiles .....	23-24

***All patterns are available in any species of wood. Please call for quotes.***

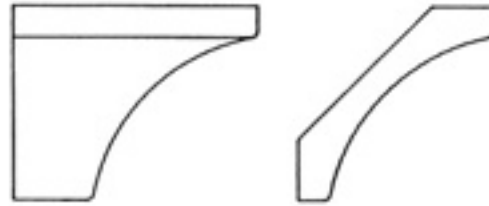
*Contents of this catalog are property of Annandale Millwork and Allied Systems. Use of the contents of this catalog outside the context of business inquiry is strictly prohibited.*



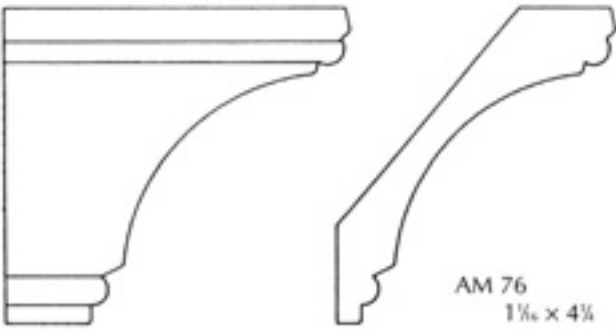
WM 49  
9/16 x 3 1/2  
(also)  
LWM 52  
9/16 x 2 1/2  
LWM 53  
9/16 x 2 1/2  
LWM 54  
9/16 x 2 1/2



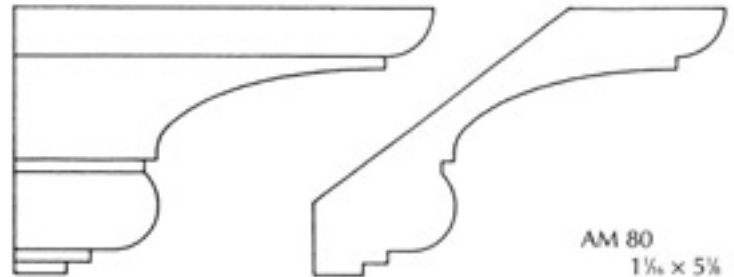
AM 78  
7/8 x 4 1/2



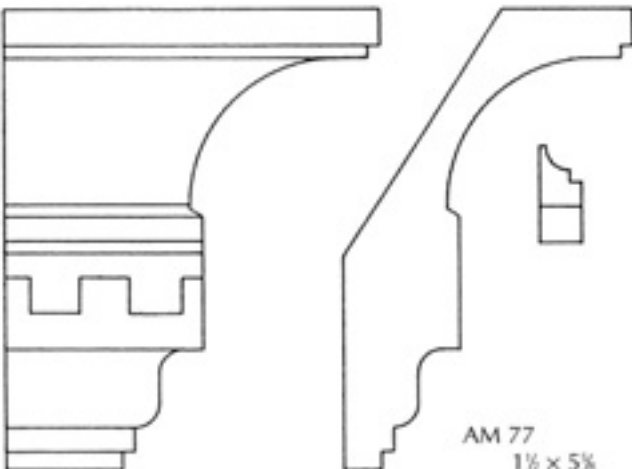
AM 81  
3/4 x 2 1/2



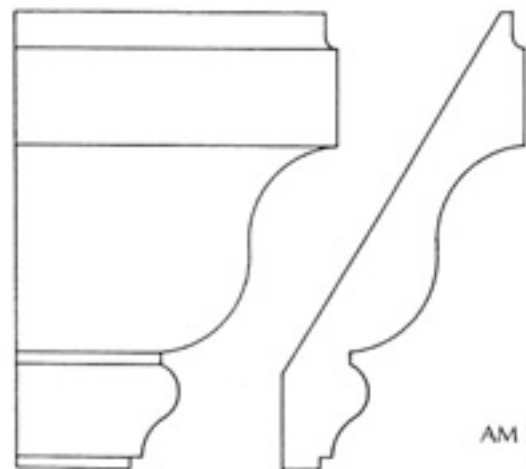
AM 76  
1 1/8 x 4 1/2



AM 80  
1 1/8 x 5 1/2



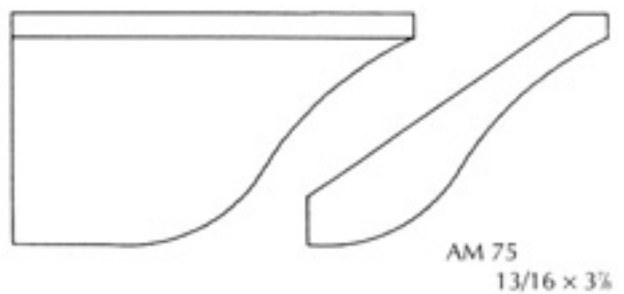
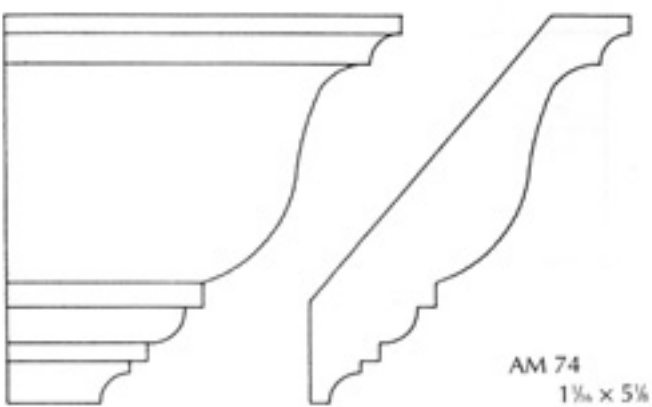
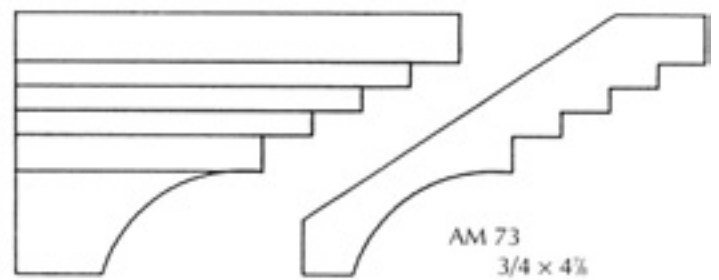
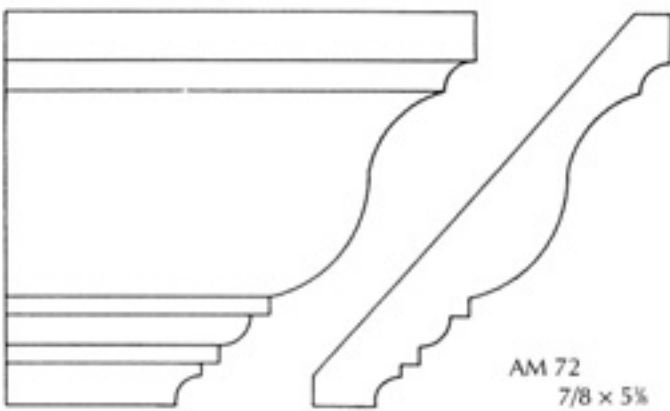
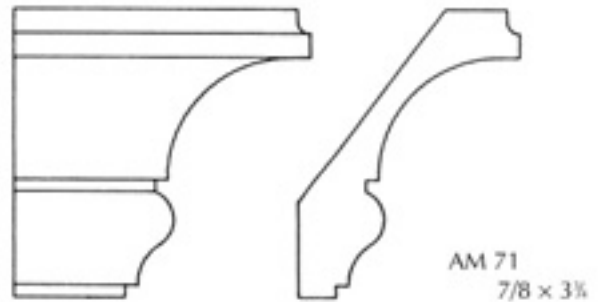
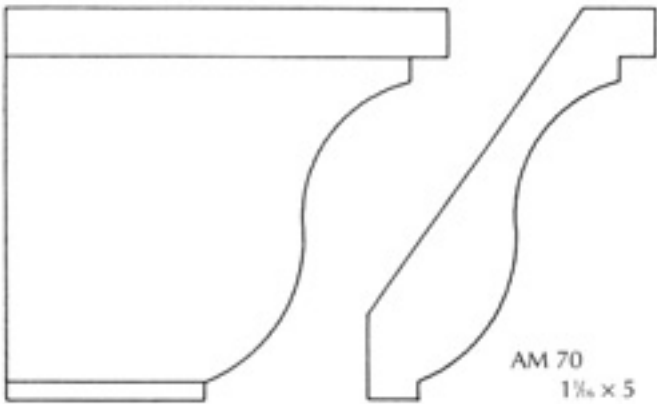
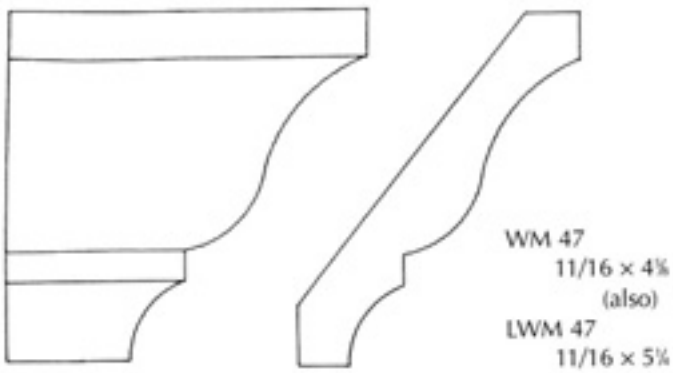
AM 77  
1 1/8 x 5 1/2

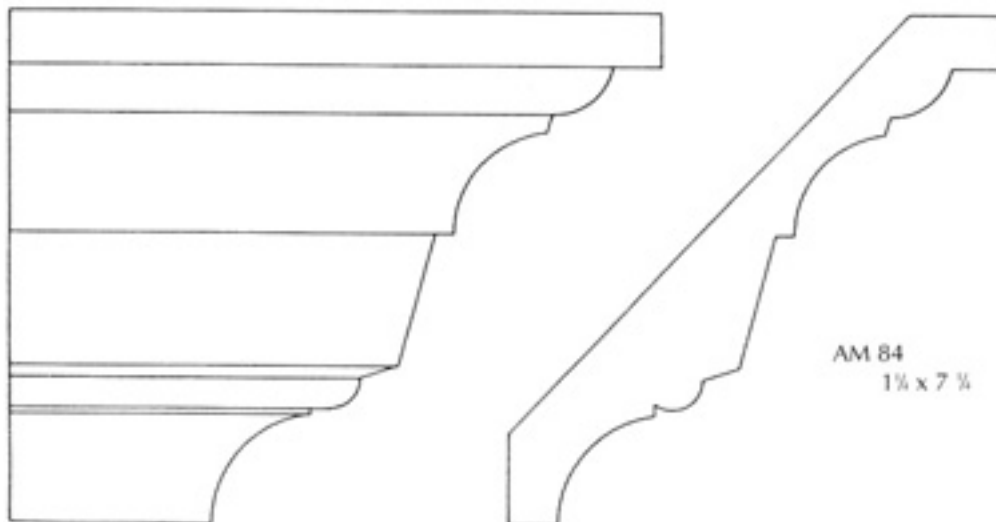
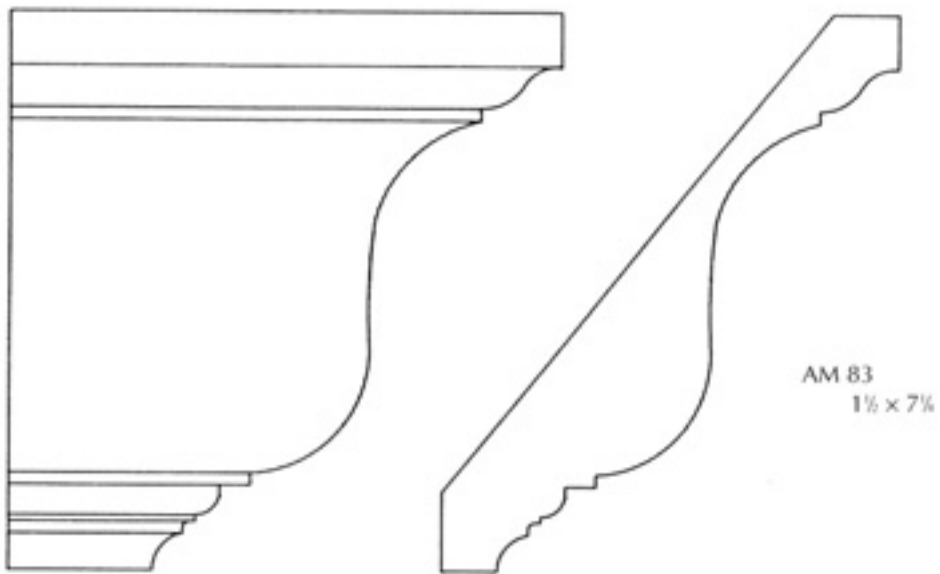
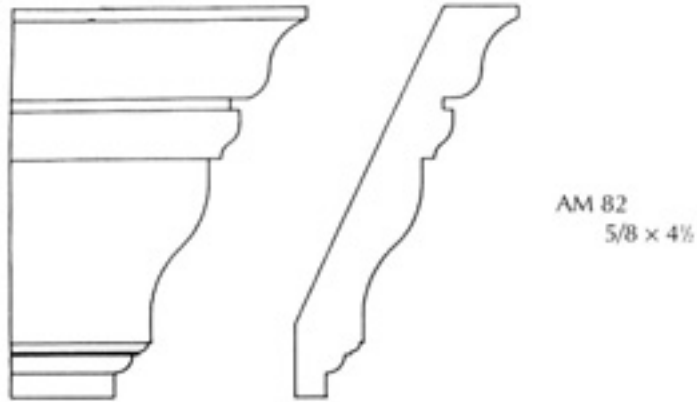


AM 79  
7/8 x 5 1/2

# CROWN

SCALE: HALF SIZE

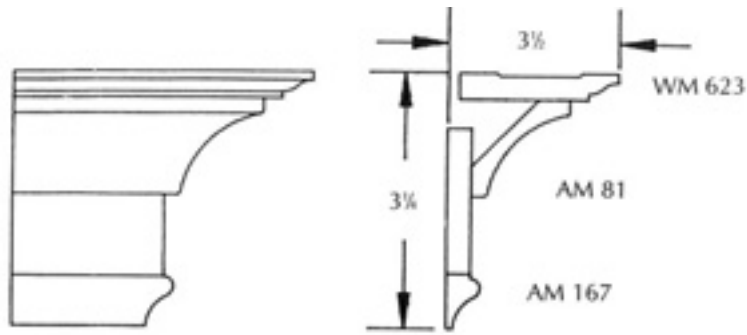




# CROWN COMBINATION

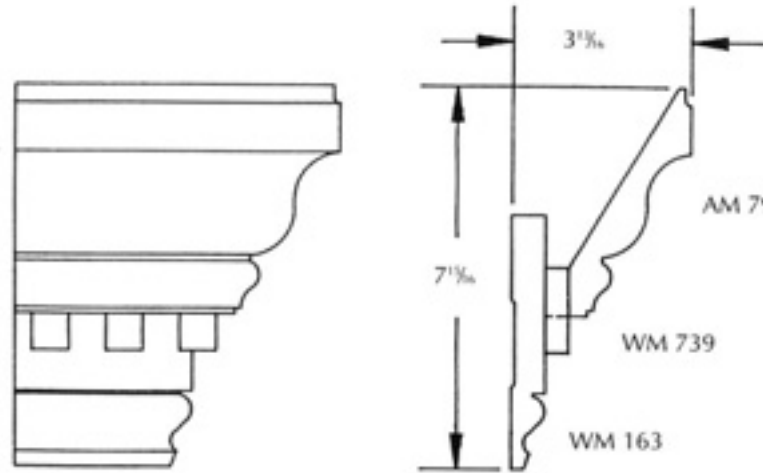
SCALE: QUARTER SIZE

Combination "A"



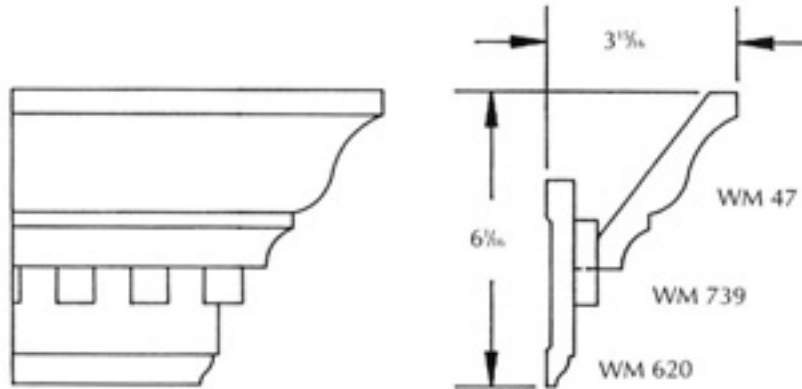
6 1/2" Point to Point

Combination "B"



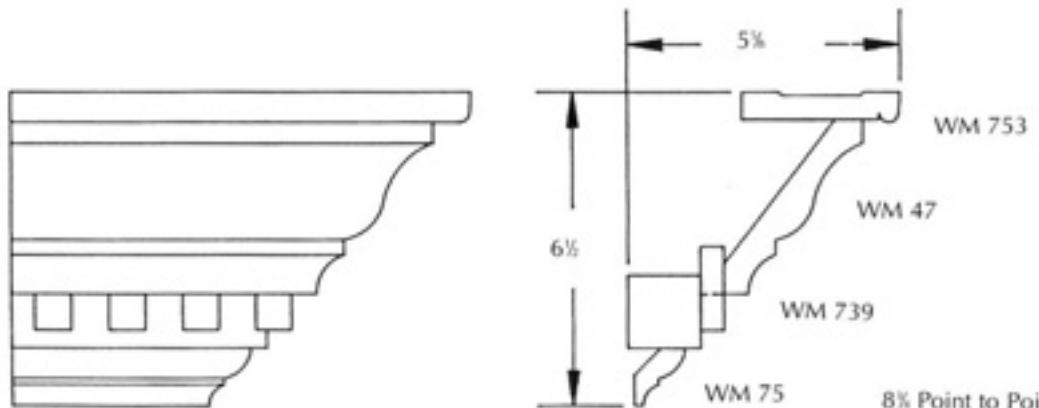
8" Point to Point

Combination "C"



7 1/2" Point to Point

Combination "D"

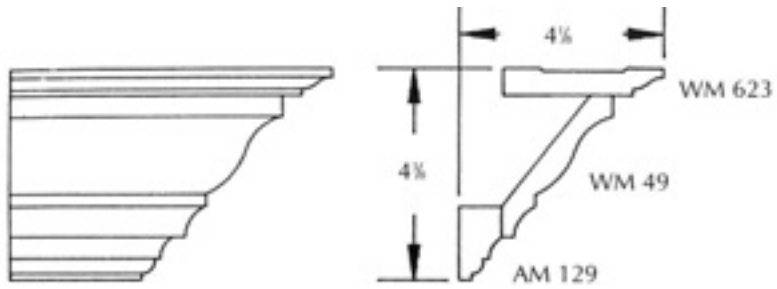


8" Point to Point

Annandale Millwork / Allied Systems

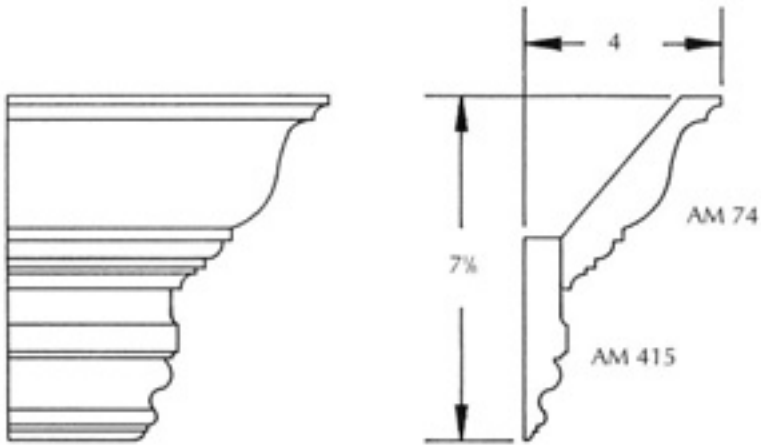
4 1936 Millwood Pike Winchester, VA 22602 540|665|9600 540|678||4526 fax www.amcasc.com

Combination "E"



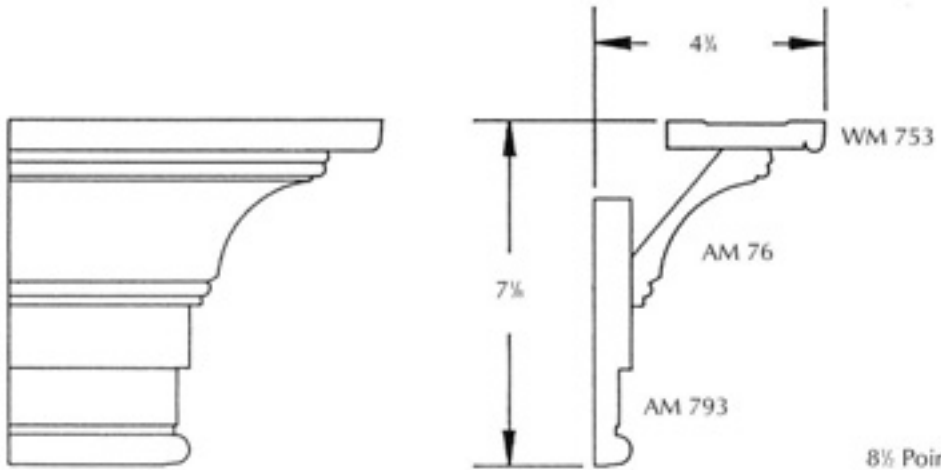
6 Point to Point

Combination "F"



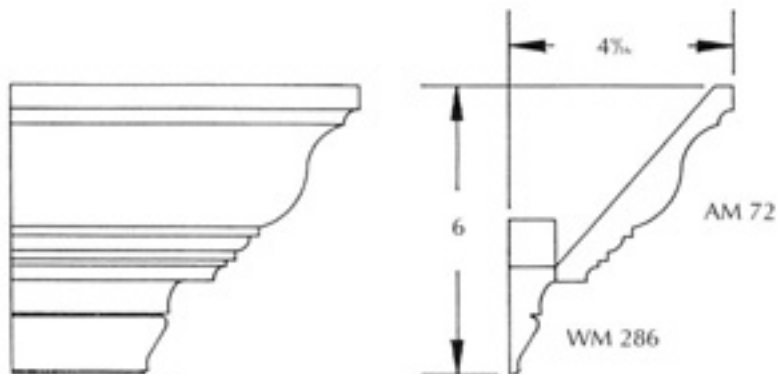
8 Point to Point

Combination "G"



8 Point to Point

Combination "H"

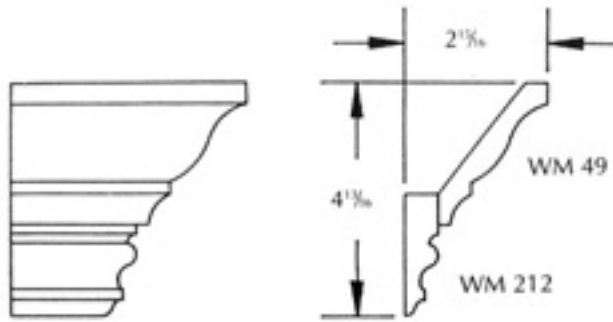


7 Point to Point

# CROWN COMBINATION

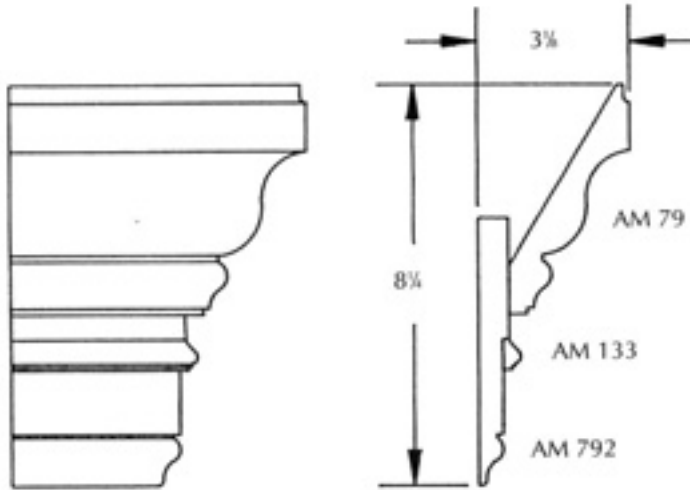
SCALE: QUARTER SIZE

Combination "I"



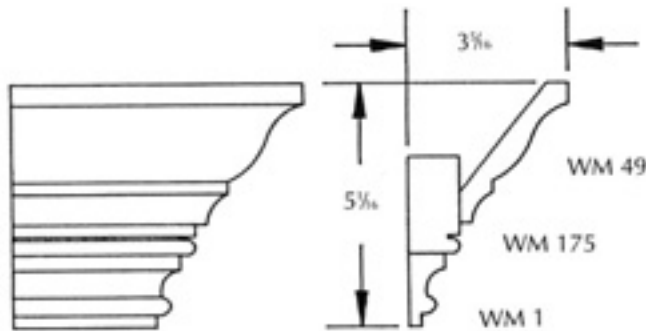
5 1/2 Point to Point

Combination "J"



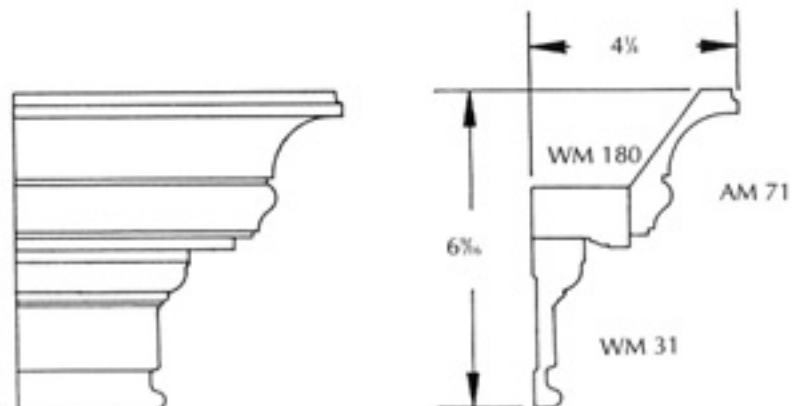
8 Point to Point

Combination "K"



6 Point to Point

Combination "L"

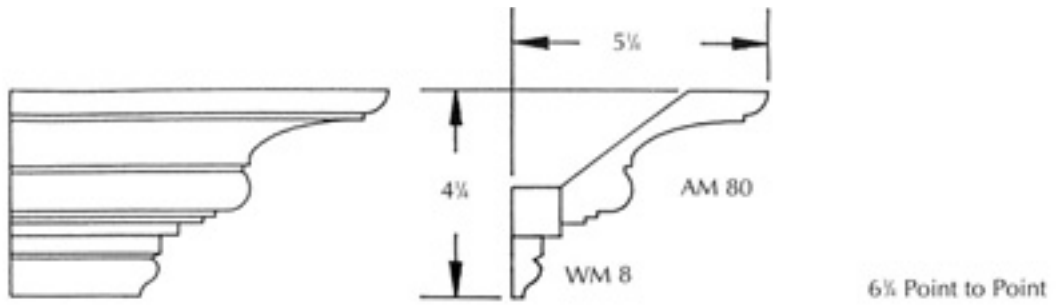


7 Point to Point

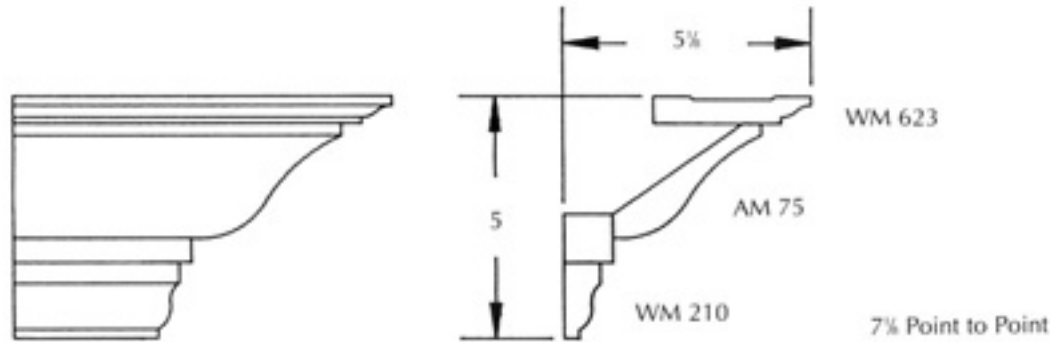
Annandale Millwork / Allied Systems

6 1936 Millwood Pike Winchester, VA 22602 540|665|9600 540|678||4526 fax www.amcasc.com

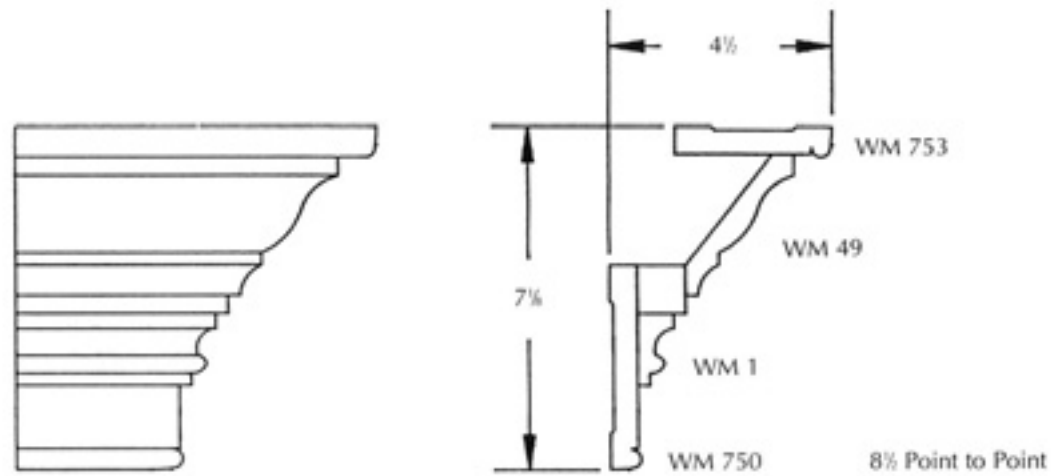
Combination "M"



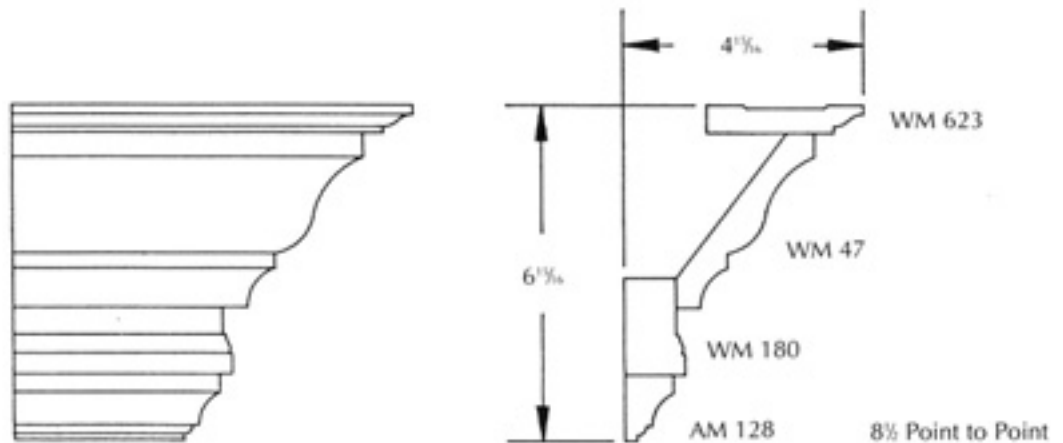
Combination "N"



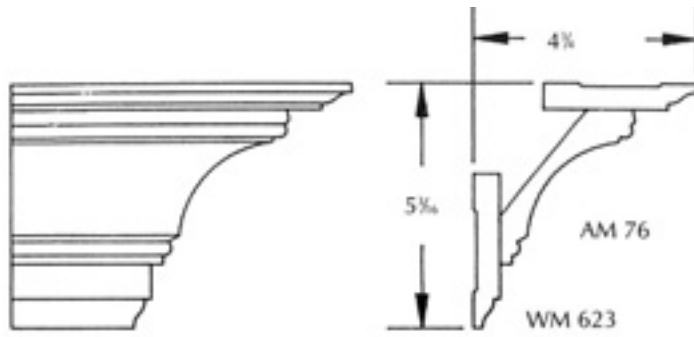
Combination "O"



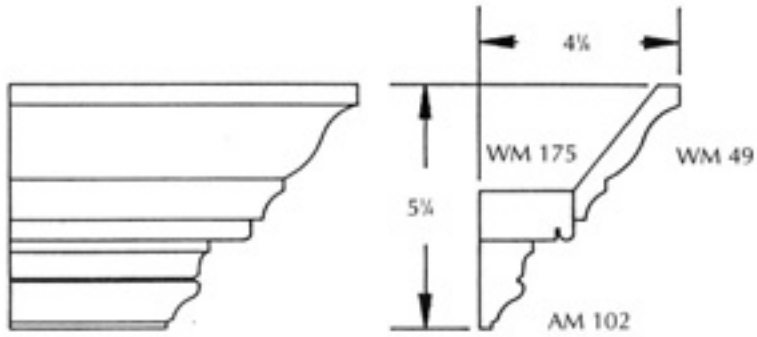
Combination "P"



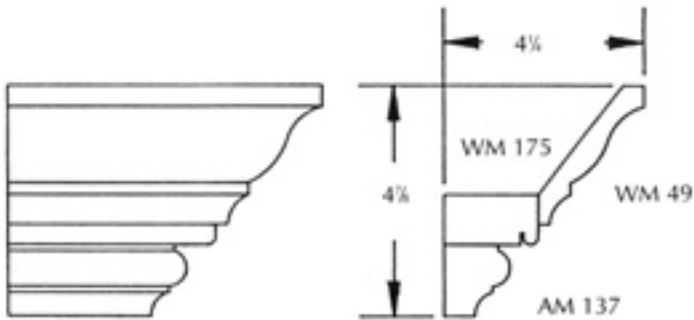
Combination "Q"



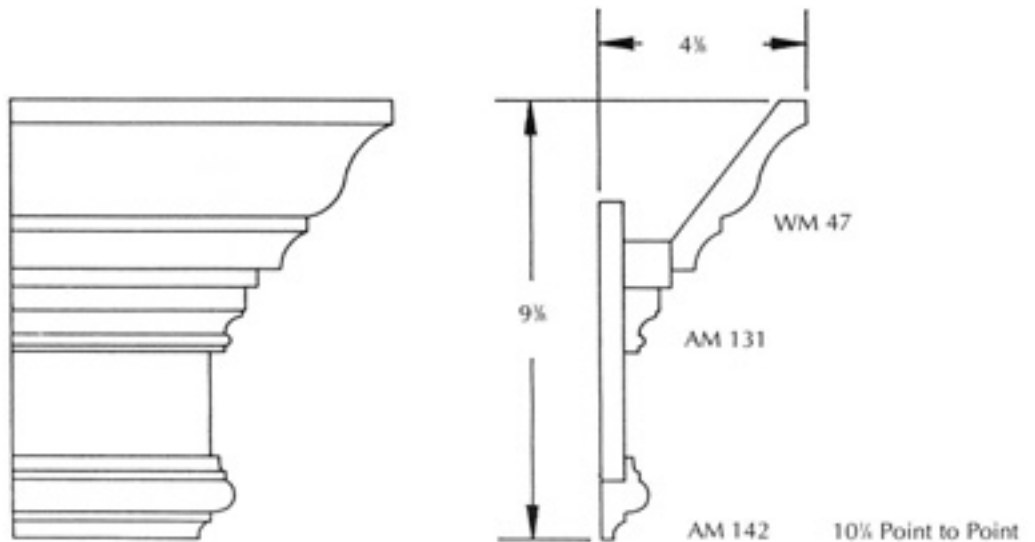
Combination "R"



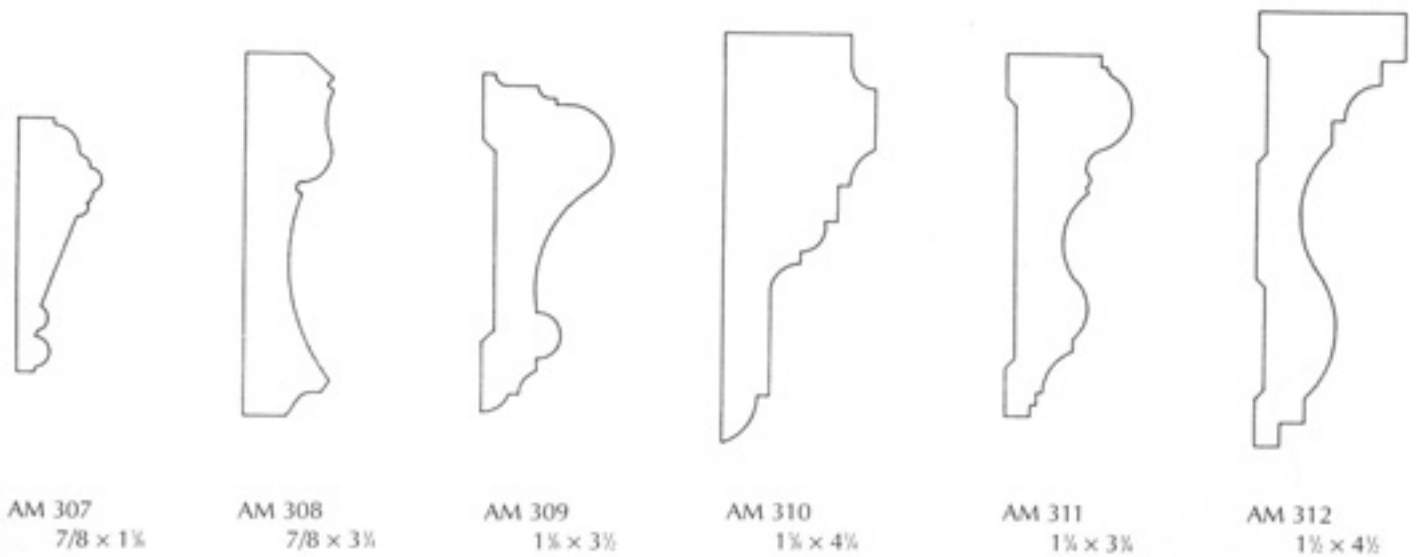
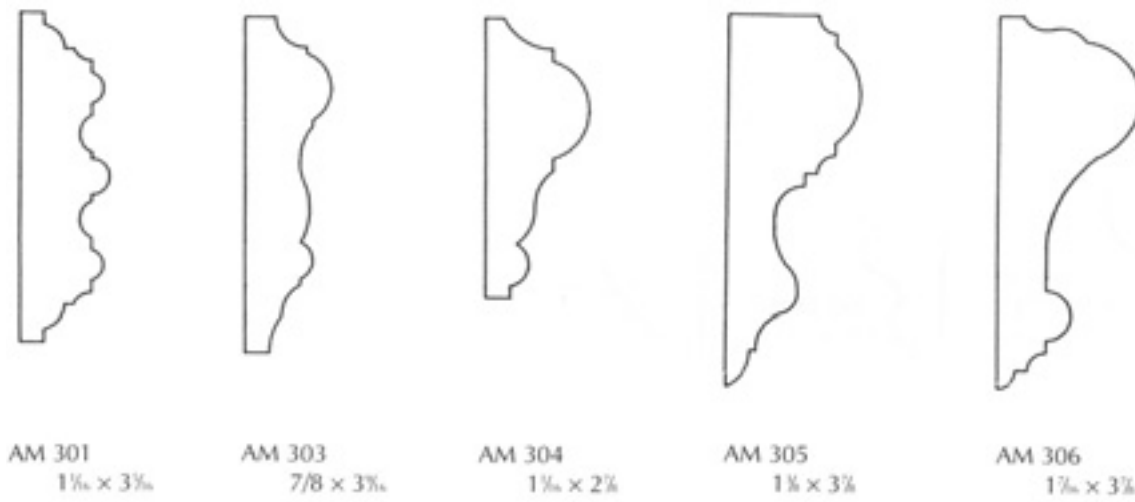
Combination "S"



Combination "T"



Annandale Millwork / Allied Systems





AM 322  
1 1/4" x 4 1/2"



AM 323  
1" x 3"



AM 324  
1" x 3"



AM 313  
1 1/4" x 3"



AM 314  
1 1/4" x 2"



AM 323  
2" x 2"



AM 315  
1 1/4" x 2"



AM 316  
7/8" x 2"



AM 317  
1 1/4" x 5"



AM 318  
1 1/4" x 5"



AM 319  
1 1/4" x 4"



AM 320  
1 1/4" x 4"



AM 321  
2" x 4"

WM 376  
11/16 x 2%



WM 327  
11/16 x 2%



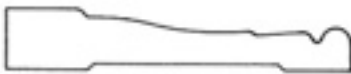
WM 377  
11/16 x 2%



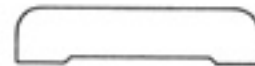
WM 452 R.I.E.  
11/16 x 2%



LWM 445  
11/16 x 3%



WM 472  
9/16 x 2%



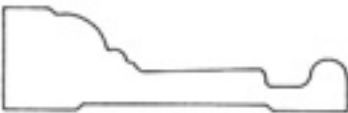
WM 97  
1% x 3%



WM 361  
11/16 x 2%



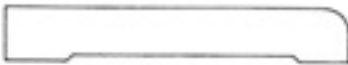
WM 31  
1% x 3%



WM 362  
11/16 x 3%



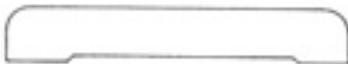
WM 432 R.I.E.  
9/16 x 3%



WM 363  
11/16 x 4%



WM 432  
9/16 x 3%



# CASING

SCALE: HALF SIZE

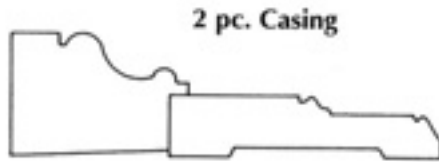
AM 400  
3/4 x 3%



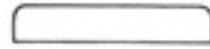
AM 409  
9/16 x 1%



AM 401  
1% x 1%  
AM 402  
5/8 x 2%



AM 410  
3/8 x 2



AM 403  
1% x 5



AM 411  
7/16 x 2%



AM 404  
1% x 4%



AM 412  
7/8 x 2%



AM 405  
1% x 3%



AM 413  
3/4 x 3%



AM 407  
11/16 x 3%



AM 414  
3/4 x 3%



AM 408  
1% x 3%



SCALE: HALF SIZE

Casing

AM 415  
7/8 x 3



AM 418  
1 1/4 x 3 1/2



AM 416  
1 x 3 1/2



AM 419  
1 x 5 1/2

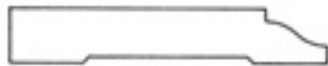


AM 417  
1 x 3 1/2



Base

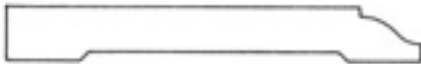
WM 623  
9/16 x 3 1/2



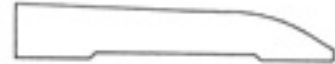
WM 41  
9/16 x 2 1/2



WM 620  
9/16 x 4



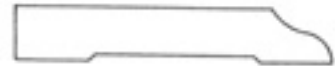
WM 713  
9/16 x 3 1/2



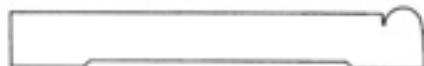
WM 753  
9/16 x 3 1/2



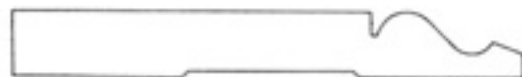
WM 663  
9/16 x 3 1/2



WM 750  
9/16 x 4



WM 163  
11/16 x 5 1/2



# BASE

SCALE: HALF SIZE

AM 755  
9/16 x 2 1/2



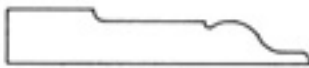
AM 756  
9/16 x 2 1/2



AM 757  
3/4 x 2 1/2



AM 758  
9/16 x 3



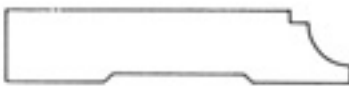
AM 759  
3/4 x 3 1/2



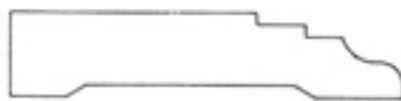
AM 780  
3/4 x 3 1/2



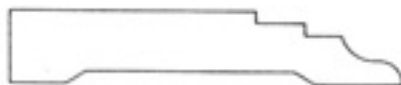
AM 781  
3/4 x 3 1/2



AM 782  
7/8 x 4



AM 783  
3/4 x 4



AM 784  
3/4 x 5 1/2



AM 785  
3/4 x 5 1/2



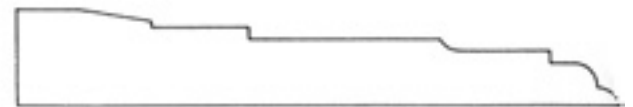
AM 786  
9/16 x 5 1/2



AM 787  
3/4 x 5 1/2



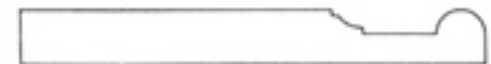
AM 788  
1 x 6 1/2



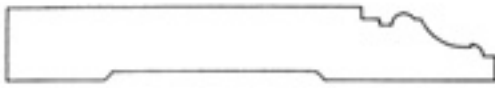
AM 789  
7/8 x 5 1/2



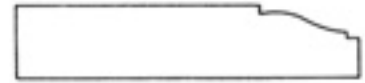
AM 790  
9/16 x 4



AM 791  
3/4 x 5



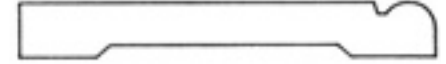
AM 800  
3/4 x 3 1/2



AM 792  
5/8 x 5 1/2



AM 801  
9/16 x 4 1/2



AM 793  
3/4 x 5 1/2



Base Caps

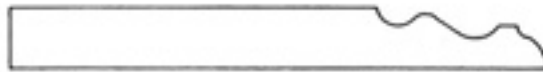


WM 163  
1 1/16 x 1 1/2

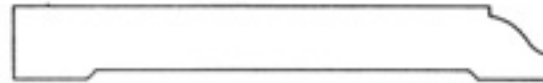


WM 167  
1 1/16 x 1 1/2

AM 794  
5/8 x 5 1/2



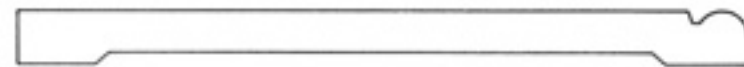
AM 795  
3/4 x 5 1/2



AM 796  
1 x 6 1/2



AM 797  
9/16 x 7 1/2



AM 798  
3/4 x 7 1/2



AM 799  
3/4 x 9 1/2





AM 100  
1 1/8 x 2 1/8



AM 101  
1 1/8 x 1 1/8



AM 107  
1 1/8 x 1 1/8



AM 102  
1 1/8 x 1 1/8



AM 108  
3/4 x 1 1/8



AM 103  
1 1/8 x 1 1/8



AM 109  
1 1/8 x 2



AM 104  
1 1/8 x 2



AM 110  
1 1/8 x 2



AM 105  
3/4 x 1 1/8



AM 111  
1 1/8 x 1 1/8



AM 106  
5/8 x 1 1/8



AM 112  
3/4 x 2 1/8



AM 113  
7/8 x 1 1/8



AM 120  
1/2 x 1



AM 114  
3/4 x 2 1/8



AM 121  
1/4 x 1/2



AM 115  
1 1/8 x 2 1/8



AM 122  
3/4 x 1 1/8



AM 116  
1 1/8 x 2



AM 123  
1/2 x 1 1/8



AM 117  
3/4 x 1 1/8



AM 124  
3/4 x 2 1/8



AM 118  
7/8 x 1 1/8



AM 125  
3/4 x 2



AM 119  
3/4 x 1 1/8



AM 142  
1 x 1 1/8



AM 141  
1/2 x 1 1/8



AM 126  
3/4 x 1 1/8



AM 133  
3/8 x 5/8



AM 127  
1 x 1 1/8



AM 134  
1/2 x 1 1/8



AM 128  
1 x 1 1/8



AM 135  
3/4 x 1 1/8



AM 129  
7/8 x 1 1/8



AM 136  
3/4 x 1 1/8



AM 130  
5/8 x 1 1/8



AM 137  
1 x 1 1/8



AM 131  
3/4 x 1 1/8



AM 138  
5/8 x 1 1/8



AM 132  
7/8 x 1 1/8



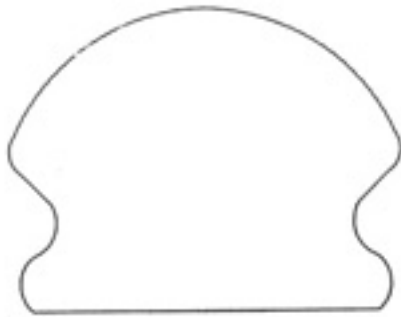
AM 140  
7/8 x 2 1/8



AM 139  
1 1/8 x 2 1/8

SCALE: HALF SIZE

Hand Rail



AM 6009  
4 x 3%



WM 6010  
2% x 2%



AM 6011  
1% x 2%

Bed

Shoe

Ply Cap



WM 75  
9/16 x 1%



WM 127  
7/16 x 3/4



WM 131  
7/16 x 3/4



WM 1219  
11/16 x 1%



WM 295  
5/8 x 1%



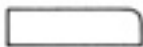
WM 290  
11/16 x 1%

Stop

Half Round

Quarter Round

Champher



WM 886  
3/8 x 1%  
(also)

WM 888  
3/8 x 1%

WM 885  
3/8 x 1%



WM 946  
3/8 x 1%  
(also)

WM 952  
3/8 x 5/8

WM 951  
3/8 x 3/4



WM 856  
3/8 x 1%  
(also)

WM 855  
3/8 x 1%

WM 857  
3/8 x 1%



WM 120  
1/2 x 1  
(also)

WM 122  
3/8 x 11/16

WM 124  
1/4 x 1/2



WM 104  
11/16 x 1%



WM 105  
3/4  
(also)

WM 106  
11/16

WM 108  
1/2

WM 109  
3/8

WM 110  
1/4



WM 995  
3/4  
(also)

WM 996  
1

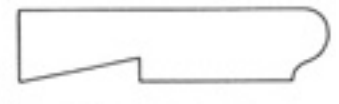
Stool

WM 1163  
1% x 3%  
1% Rab. @ 14°

WM 1164  
1% x 2%  
1% Rab. @ 14°



WM 1193  
11/16 x 3%  
1% Rab. @ 14°



WM 1195  
11/16 x 2%  
7/8 Rab. @ 14°

WM 1021  
11/16 x 5%



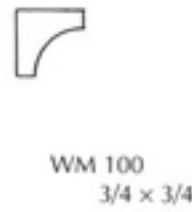
WM 1197  
11/16 x 2%  
1/2 Rab.



# COVES, ASTRAGALS, BRICK MOULDS, ROSETTES, MULLION

Cove

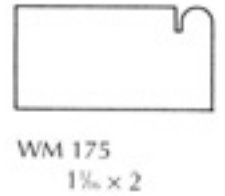
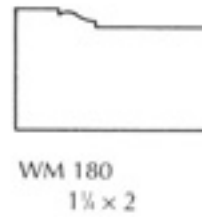
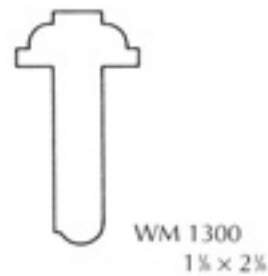
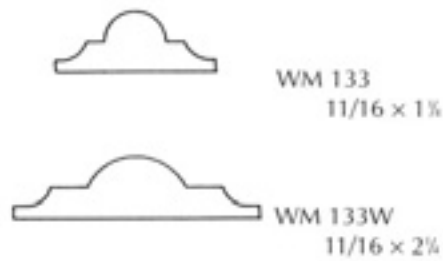
SCALE: HALF SIZE



Astragal

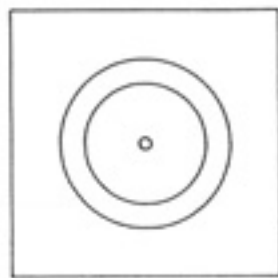
T-Astragal

Brick Moulding



Rosette

Mullion



AM 14  
1 x 3% x 3%

AM 15  
1 x 2% x 2%



Annandale Millwork / Allied Systems

SCALE: HALF SIZE

Rake



WM 8  
9/16 x 1 1/8



WM 2  
11/16 x 1 1/8



WM 287  
1 1/8 x 2



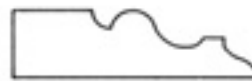
WM 1  
11/16 x 1 1/8



WM 286  
1 1/8 x 2



WM 210  
11/16 x 1 1/8



WM 212  
11/16 x 2 1/8

Reeding



AM 90  
9/16 x 3 1/8



AM 91  
5/8 x 3 1/8

Fluting



AM 92  
9/16 x 3 1/8



AM 93  
11/16 x 4 1/8



AM 94  
11/16 x 5 1/8

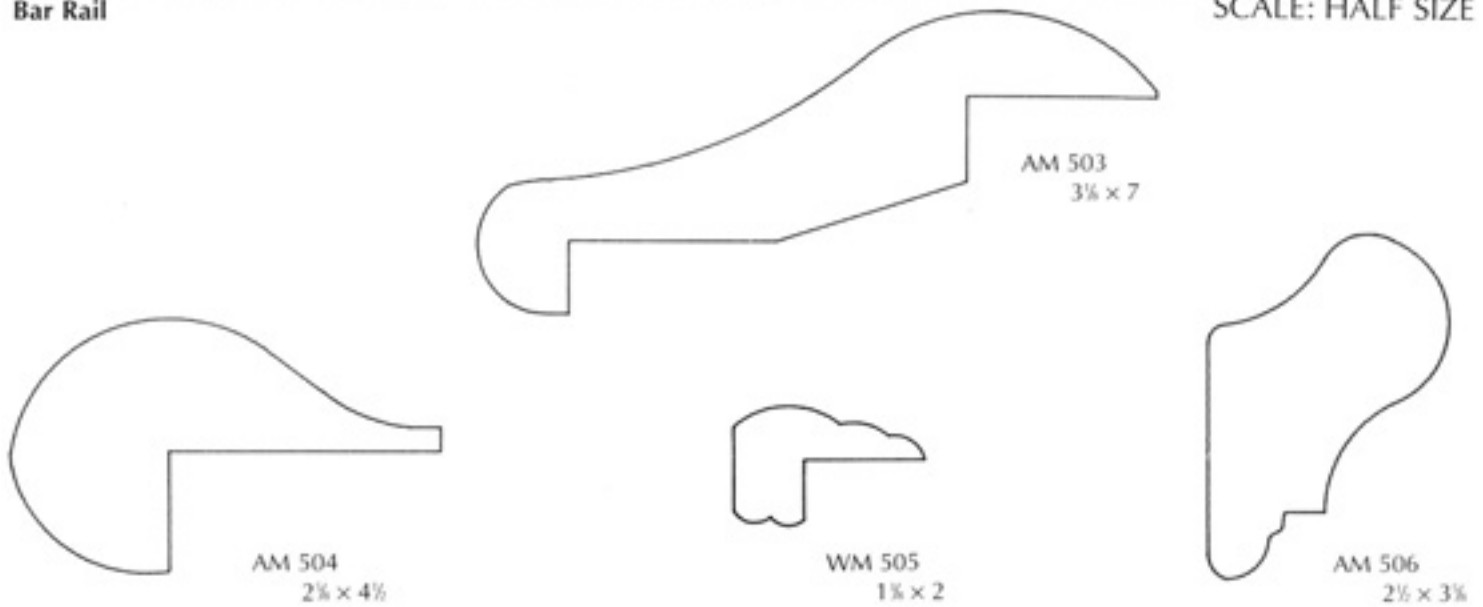


AM 95  
11/16 x 7 1/8

# BAR RAIL, DENTIL, CRIP CAP, TOP RAIL, BOTTOM RAIL, BALUSTER, FULL ROUND

## Bar Rail

SCALE: HALF SIZE



## Dentil

## Drip Cap



WM 739  
1/2 x 1 1/2

WM 188  
1 1/2 x 1 1/2

## Bottom Rail

## Baluster

## Top Rail



WM 237  
1  
(also)  
WM 236  
1  
WM 238  
1



WM 8840  
1 x 3

## Full Round



WM 239  
3/4 x 3/4

WM 232  
1  
(also)  
WM 233  
1  
WM 234  
1

WM 8841  
1 x 3

# CORNER GUARDS, BEADS, SCREEN STOCK, MDF PROFILES

## Corner Guards



WM 205  
1%  
(also)  
WM 204  
1%  
WM 206  
3/4



WM 202  
1%  
(also)  
WM 201  
1%



WM 249R  
11/16 x 1%



WM 246  
11/16 x 2%  
(also)  
WM 249  
11/16 x 1%  
WM 247  
1/2 x 2

## Screen Bead



WM 142  
1/4 x 3/4



WM 144  
1/4 x 3/4



WM 138  
5/16 x 5/8

## Glass Bead



WM 147  
1/2 x 9/16  
(also)  
WM 148  
3/8 x 3/8

## Sash Bead



WM 953  
1/2 x 7/8

## Parting Bead



WM 254  
1/2 x 3/4

SCALE: HALF SIZE

## MDF Profiles

### Base Cap

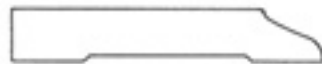


AM 163  
11/16 x 1%

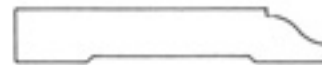


AM 167  
11/16 x 1%

### Base



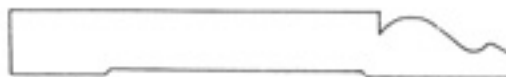
AM 663  
9/16 x 3%



AM 623  
9/16 x 3%



AM 620  
9/16 x 4%



AM 163E  
11/16 x 5%

### Casing



AM 376  
11/16 x 2%



AM 445  
11/16 x 3%



AM 97  
1% x 3%



AM 31  
1% x 3%

# Annandale Millwork & Allied Systems Corporation



1936 Millwood Pike  
Winchester, VA 22602

540 | 665 | 9600 phone  
540 | 678 | 4526 fax

[www.amcasc.com](http://www.amcasc.com)

*Teaming with Builders for 50 Years*